



# OSSA

## DOOR PARTS

### TRADE SUPPLIERS

TECHNICAL DATA SHEET

v02.2016

## SHELTER AB

### SHELTER AB FOR LOADING DOCKS

The dock shelter is the essential complement in a loading bay. The shelter ensures a good thermal protection and prevents air, water, gases, dust, insects, etc. entering.

The shelter model AB is extremely resistant to dampness, abrasion and aging caused by the radiation from the sun.

The side walls are retracted by propulsion.

### STRUCTURE

✦ It is made up by the ceiling, the side walls, the external profiles and the internal chassis.

Element	Material	Details
<b>Internal chassis and structural elements</b>	Galvanized steel	
<b>Non-structural external profiles</b>	Anodized aluminium	To offer a bigger resistance to the oxidation.
<b>Fastening rivets</b>	External in aluminium profile	Anodized aluminium.
	Interior in structure	Reinforced steel.
<b>Reinforcement corners</b>	Galvanized steel sheet	Of 3 mm thickness.
<b>Fastening</b>	Galvanized steel	Galvanized steel supports, with drilled holes for fastening to wall or panel.
<b>Ceiling and side walls</b>	<b>Characteristic</b>	<b>Details</b>
	Polyester fabric 1100 dtex	Coated with dyed PVC.
	Fire reaction	M3
	Colour	Black.
	Mass	610 g/m <sup>2</sup> .
	Work temperature	-30...70°C.
	Drive resistance	Warp: 240 kg / 5 cm <sup>2</sup> .
		Weft: 230 kg / 5 cm <sup>2</sup> .
Tear resistance	Warp: 40 kg.	
	Weft: 30 kg.	

### Structure finishing

- ✓ Ceiling and side walls: Bright lacquered on inner face.
- ✓ Parking visual guides: Grey RAL 9006



# OSSA

## DOOR PARTS

## TRADE SUPPLIERS

### CURTAINS

- × Upper curtain: Made with three pieces to adapt better to the incoming vehicle. Upper reinforcements to increase the tear resistance due to the side wind.
- × Side curtains: Including reinforcements up and down to increase tear resistance.

Element	Characteristic	Details
<b>Upper and side curtains</b>	Fabric	Double polyester fabric coated with PVC. Antistatic.
	Colour	Black.
	Thickness	3 mm
	Mass	3.5 kg/m <sup>2</sup>
	Fire reaction	M1
	Work temperature	-10°C...+80°C
	Maximum tension	The maximum tension at 1% elongation is of 12 N/mm.
	Flexion / deflection diameter	80 mm.

Curtaíns finishing
✓ Smooth in both faces.

### PRODUCT SIZES

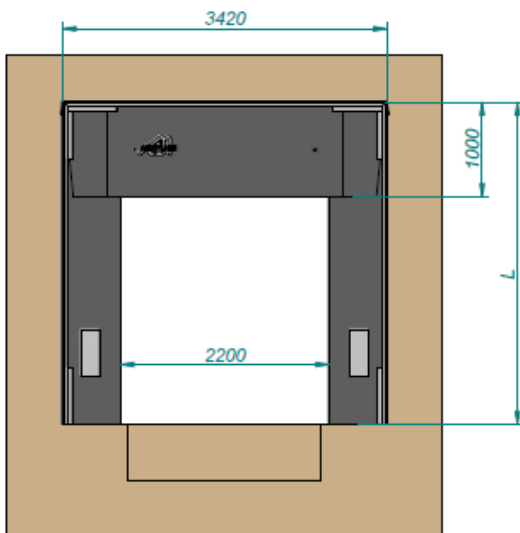
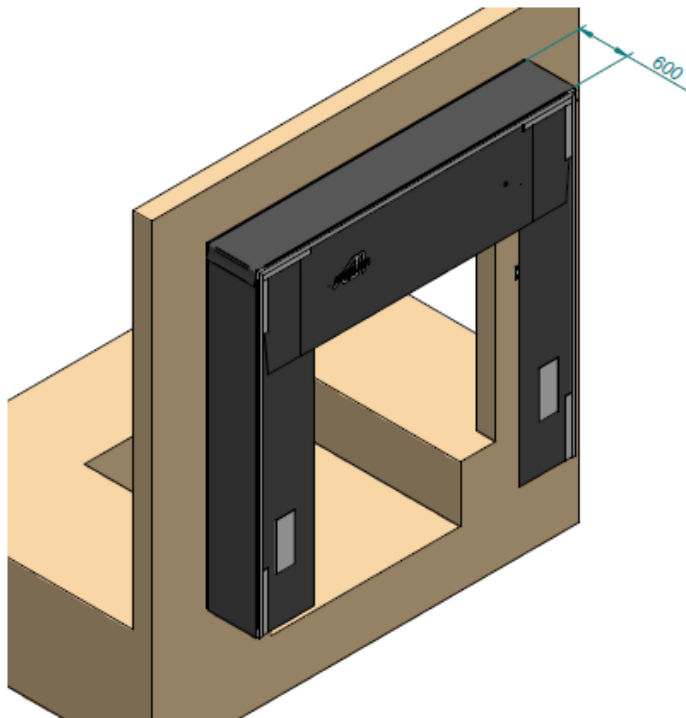
Element	Width (mm)	Height (mm)	Depth (mm)
<b>General structure</b>	3420	3410 / 3610 / 4300	600
<b>Upper curtain</b>	---	1000	---
<b>Side curtain</b>	600	---	---

### OTHER CHARACTERISTIC ELEMENTS / QUALITIES / OPTIONS

- × Curtain tension system: Through replaceable elastic ropes and galvanized steel anchoring.
- × Impact absorption system: Galvanized steel retractable arms. Position recovery system using steel cables and galvanized steel spring. This retractable system of impact absorption prevents damages in case the vehicle hits the side.
- × The pre-assembly in the factory and the on-site anchoring system simplify both the assembly and the maintenance.

# O S S A

DOOR PARTS  
TRADE SUPPLIERS



Modelo <i>Model</i> Modèle	L (mm)
AB 34	3.410
AB 36	3.610
AB 43	4.300

The information contained in this descriptive text is general for the referenced product. In no case is it binding or contractual. Portes Bisbal S.L. reserves the right to modify the features herein.